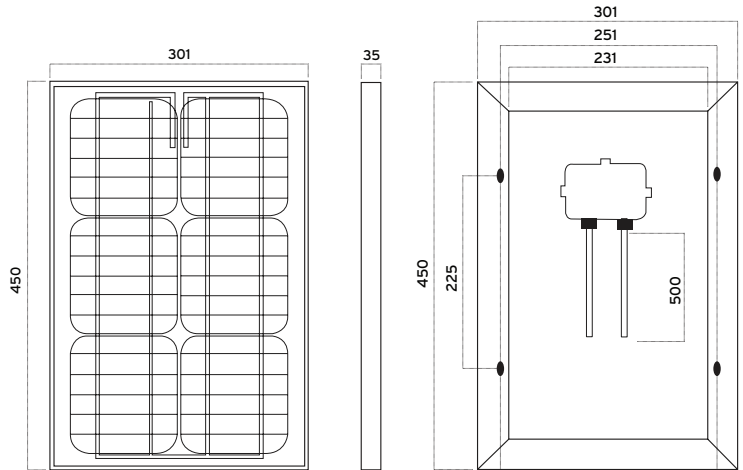


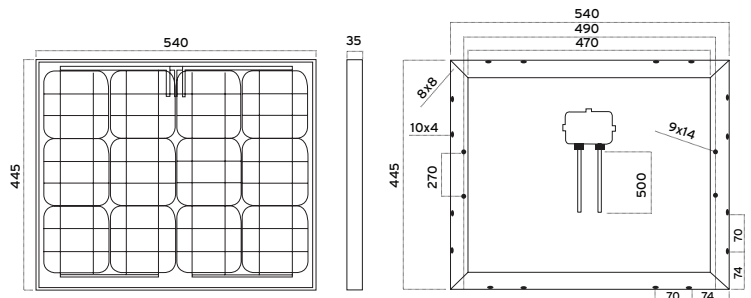


Dimensions (mm)

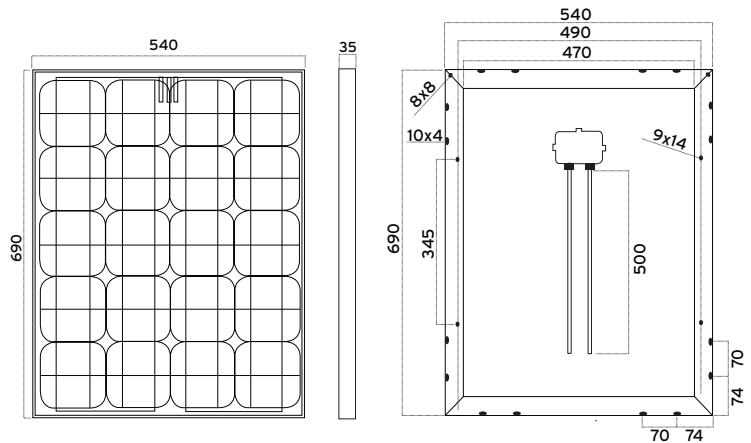
Partcode: NPV15



Partcode: NPV30



Partcode: NPV55



Electrical Characteristics	NPV15	NPV30	NPV55
Maximum Power at STC (Pmax)	15Wp	30Wp	55Wp
Maximum Power Voltage (Vmp)	18V	17.75V	21V
Maximum Power Current (Imp)	0.83A	1.69A	2.62A
Short Circuit Current (Isc)	0.996A	1.83A	2.81A
Open Circuit Voltage (Voc)	21.98V	21.83V	24.8V
Maximum system voltage		1000VDC	
Power Tolerance		-1% ~ +3%	

Characteristics

Temperature Coefficient of Voc	-0.35%/°C
Temperature Coefficient of Isc	0.055%/°C
Temperature Coefficient of Pmax	-0.44%/°C
Normal Operating Cell Temperature (NOCT)	45 ± 2°C

Mechanical Characteristics	NPV15	NPV30	NPV55
Cell Type	5" Monocrystalline (1/6 pcs)	5" Monocrystalline (1/3 pcs)	5" Monocrystalline (1/2 pcs)
No of Cells	36 (2x18)	36 (4x9)	36 (4x9)
Dimensions (mm)	450 x 301 x 35	445 x 540 x 35	690 x 540 x 35
Weight (Kg)	2	3.3	4.8
Front Glass	3.2mm, High Transmission, Low Iron, Tempered Glass		
Frame	Anodized Aluminium Alloy (Silvery White)		
Junction Box	IP65 Rated		

Packing Information

Packing Design: Cartons, 2 pcs/ carton